

MARUTI SUZUKI
Way of Life!



Dealer Stamp

Maruti Suzuki India Limited reserves the right to change without notice prices, colours, equipment specifications and models and also to discontinue models. Accessories & features shown in the pictures may not be part of standard equipment and will differ according to the variant. Colours shown may vary from actual body colours due to printing on paper.

MARUTI SUZUKI INDIA LIMITED, Plot No.1, Nelson Mandela Road, Vasant Kunj, New Delhi-110070, India

Ciaz
Make way for the future



MAKE WAY FOR THE FUTURE.

With its bold stance, confident demeanour and elegant style, the Ciaz is more than just a sedan. It's an attitude that defies norms. A revolution in luxury and innovation, its design exudes opulence and its aerodynamic styling adds to its stunning looks. Ciaz is the perfect amalgamation of incredible style, sophistication and cutting-edge technology.

At the heart of the Ciaz is a power-packed engine that delivers robust performance with great fuel-efficiency. The DDiS 200 diesel engine in Ciaz is equipped with the new Smart Hybrid Technology and the petrol variant is powered by the New Generation K14B VVT engine.

No wonder when you're behind the wheel of Ciaz, the only thing ahead is an open road.

STYLE THAT MAKES LIGHTS TURN GREEN.

Ciaz blends the elegance of its curves with the boldness of its stance. While its exceptionally classy design elements like Projector Headlamps add a touch of sophistication, its lean yet expansive body creates a distinct impression.



NOTHING GETS IN THE WAY OF INDULGENCE.

Infusing a spacious and relaxing feel, the ergonomically designed cabin and seats of Ciaz provide unmatched comfort in both the front and rear. With ample legroom, headroom and shoulder room, the seats indulge both the driver and the passengers with an experience of exceptional comfort and relaxation.





STEP INSIDE FOR SOPHISTICATED FEATURES.

The Ciaz is equipped with highly advanced features like Camera and Sensors Assisted Reverse Parking, Keyless Push Start System and Smart Key. Along with that, intelligently designed features like Rear AC Vents, Personal Reading Lamps and Rear Sunshade ensure that every single detail of the passenger's comfort is thoughtfully addressed.



Camera Assisted Reverse Parking



Smart Key & Keyless Push Start System



Rear AC Vents & 12V Charging Point



Personal Reading Lamps



Rear Sunshade



Auto AC



Front & Rear Centre Armrest



Steering Mounted
Audio & Calling Controls



EFFORTLESS ENTERTAINMENT.

When you're driving the Ciaz, keeping yourself entertained requires little effort. Thanks to the SmartPlay Infotainment System in the Ciaz. A range of features like WVGA TFT display with touchscreen, Bluetooth Connectivity*, Voice Command, Navigation System, Smartphone Connectivity# (via Mirror Link and Apple Carplay®), Media Connectivity and Reverse Parking Display, add a new dimension to infotainment on the move. That's how, the Ciaz ensures that the only moment that isn't entertaining enough is the one when you're stepping out.

*to check compatibility for your device visit www.marutisuzuki.com/smartplaysystem
 #for details, refer to www.marutisuzuki.com/smartplaysystem





UTILITY SPACES INSPIRED BY ONE ESSENTIAL FACTOR. YOU.



OVERHEAD CONSOLE WITH SUNGLASS HOLDER

The Ciaz comes with a stylish Overhead Console with Sunglass Holder.



BOOT SPACE

The Ciaz provides luggage capacity of 510 litres. Electromagnetic latch and boot light enhance ease of use.



CONCEALED CONSOLE BOX WITH ILLUMINATION

The console box provides storage with anti-skidding mat, 12V accessory, USB & AUX sockets and twin cupholders.



DOOR BOTTLE HOLDERS

Front door pockets can hold a 1,000ml PET bottle and an A4 size document. While the rear door pockets can hold a 1,000ml PET bottle and an A5 size document.



FRONT ARMREST UTILITY BOX

Front centre armrest incorporates a Utility Box with pen & visiting card holder.



SEAT BACK POCKETS

A pocket in the back of the front seats is handy for newspapers and magazines.

DYNAMIC PERFORMANCE MEETS CLASS LEADING EFFICIENCY.

DDiS 200 DIESEL ENGINE

The new Ciaz Smart Hybrid has a 1.3 (l) diesel engine with Variable Geometry Turbocharger (VGT) that generates optimum power and excellent torque. This is paired with an Integrated Starter Generator (ISG), to help improve fuel efficiency by supplementing the engine's power and to enable acceleration and all-round performance.



K14B VVT PETROL ENGINE

The new generation K14B VVT engine delivers both dynamic performance and fuel-efficiency. It incorporates new Cylinder Head and Piston Design for better efficiency and the VVT system which optimises intake valve timing for better performance. The fuel-efficiency is further enhanced by paying special attention to reduce friction in engine components. This also contributes to smooth running and reduced engine noise.



SMART HYBRID TECHNOLOGY

Introducing the revolutionary Smart Hybrid Technology by Maruti Suzuki. The DDiS 200 diesel engine is equipped with an Integrated Starter Generator (ISG), whose motor function improves fuel efficiency by supplementing the engine's power. Capable of high generation output, the ISG is capable of recovering energy from the car's deceleration. The energy is stored in a high capacity battery. The ISG's motor function is used to restart the engine silently. This assists in the engine's auto stop and start function and aids the engine during acceleration, thus reducing fuel consumption even further.



SALIENT FEATURES

- Idle Stop Start -
The engine stops automatically when the car is idle and it silently starts when the clutch is pressed. This helps in increasing fuel efficiency of the car.
- Torque Assist Function -
The regeneration of the energy assists the torque function of the car. This helps the engine in providing optimal acceleration and performance.
- Brake Energy Regeneration -
Braking charges the special high capacity battery which in return assists the engine's idle stop start function and helps the engine during acceleration.
- Gear Shift Indicator -
It prompts the driver to effectively change gears. This helps ensure a smoother ride and better fuel efficiency.



DRIVING PLEASURE THAT ALWAYS FINDS AN OPEN ROAD.

Whether it's the manual transmission or the automatic variant of the Ciaz, each has been designed to offer unparalleled ease of driving. Optimised gear ratios and smooth shift mechanisms not only enhance driving dynamics but also ensure fuel-efficiency. That's why, even if you have the option of being driven, you'll find it impossible to keep your hands off the steering wheel.



4-speed Automatic Transmission

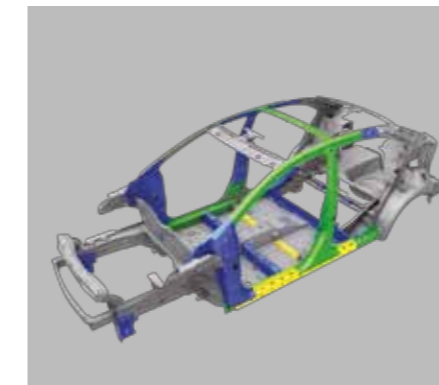


5-speed Manual Transmission



EVERYWHERE YOU GO, SAFETY GOES ALONG.

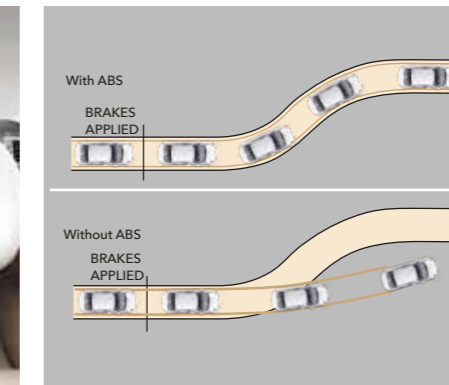
The body of Ciaz is built on Suzuki's Total Effective Control Technology (TECT) concept to offer fortress-like protection to those inside the car. The benefits of structural analysis with CAE technologies are complemented by effective use of High Tensile Strength Steel to make the body stronger and safer. Plus features like Dual Airbags, Seatbelts with Pretensioners and Force Limiters, ABS with EBD, Seat Belt Reminder Buzzer, Rear Parking Sensors and Camera, Fog Lamps and Rear Defogger further add to the safety of the passengers.



TECT



Dual Airbags



ABS with EBD



Rear Parking Sensors



THE SOPHISTICATED SEDAN WITH A RESTLESS SPIRIT

The energetic new Ciaz RS is here. Designed to harness the energy of air as it flows along its streamlined contours, the Ciaz RS is a true champion of the 'restless spirit'. Available now in high-end petrol and diesel variants.

Attractive New Spoiler Pack: The new Ciaz RS employs tuned front, side and rear spoilers adding to the aerodynamics of the car.

All Black Interiors: On the inside, the Ciaz RS beckons you for an immersive driving experience, designed to bolster its powerful and classy appeal. Settle into the sophisticated and seductive all black interiors, highlighted with grey chrome IP finish to set your pulse racing.



Front Under Spoiler



Trunk Lid And Rear Under Spoiler



Side Under Spoiler



Black Interiors



Grey Chrome Finish IP Ornament



ALLOY WHEELS FOR 195/55 R16 TYRE

ALLOY WHEELS FOR 185/65 R15 TYRE

STEEL WHEELS WITH FULL WHEEL CAPS FOR 185/65 R15 TYRE

A RANGE OF CHIC COLOURS



PEARL SNOW WHITE

PEARL METALLIC DIGNITY BROWN

PEARL SANGRIA RED

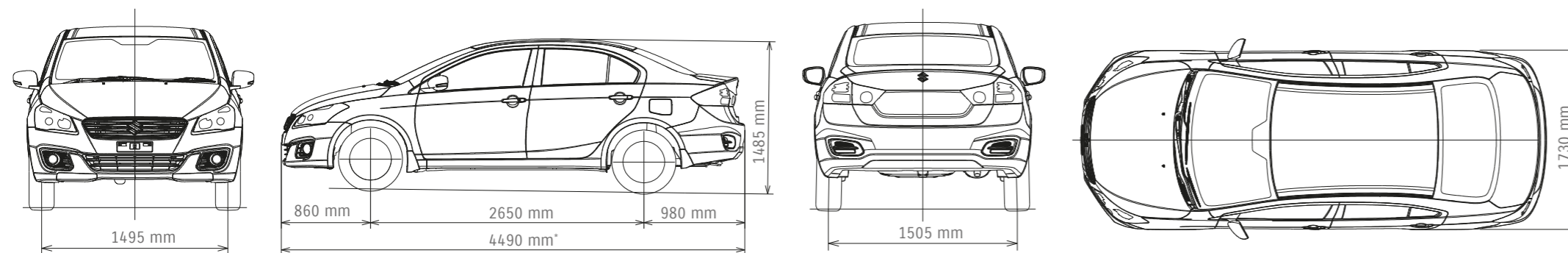


METALLIC SILKY SILVER

METALLIC GLISTENING GRAY

PEARL MIDNIGHT BLACK

METALLIC CLEAR BEIGE



*For Ciaz RS length is 4505mm

TECHNICAL SPEC

DIMENSIONS		
Overall Length(mm)	4490, 4505 - RS	
Overall Width(mm)	1730	
Overall Height(mm)	1485	
Wheelbase(mm)	2650	
Boot Space(l)	510*	
Turning Radius(m)	5.4	
Seating Capacity	5	
ENGINE		
Engine Type	Gasoline	Diesel SHVS
Valve System	DOHC	DOHC
Engine Capacity(cc)	1373	1248
Bore x Stroke(mm)	73 x 82	69.6 x 82
Max Power(kW/RPM)	68 / 6000	66 / 4000
Max. Torque(Nm/RPM)	130 / 4000	200 / 1750
Fuel tank Capacity(l)	43	
Fuel efficiency(km/l)**	20.73-MT, 19.12-AT	28.09
Emission Standard	BS IV	
Idle Stop Start	X	O
Gear Shift Indicator	X	O
Brake Energy Regeneration	X	O
Torque Assist	X	O
DRIVE, TRANSMISSION		
Drive System	2WD	
Transmission	5MT/4AT	5MT
BRAKE, SUSPENSION		
Front Brakes	Ventilated Disc	
Rear Brakes	Drum	
Front Suspension	McPherson	
Rear Suspension	Torsion Beam	
Tyre Size	185/65 R15 (Steel & Alloy) 195/55 R16 (Alloy)	
WEIGHTS		
Kerb Weight - kg (Grade)	1010 (Vxi)	1115 (Vdi)
	1030 (RS)	1135 (RS)
GWW (kg)	1490	
	1595	

*VDA Method.

**As Certified by Test Agency Under Rule 115 of CMVR 1989.

Features shown may vary from variant to variant. Car's headlights have been enhanced as per the ambience. Car colour may vary due to printing on paper.

FEATURE LIST

	Vxi/Vdi	Vxi(O)/Vdi(O)	Vxi+/Vdi+	Zxi/Zdi	Zxi+/Zdi+	RS
Exterior	Projector headlamps	O	O	O	O	O
	Alloy Wheels*	X	X	X	185/65 R15	195/55 R16
	Wheel Cap	O	O	O	X	X
	Chrome Front Grille	O	O	O	O	O
	Trunk Lid Chrome Garnish	X	X	X	X	O
	Door Beltline Garnish	X	X	X	X	O
	B Pillar Black Out	O	O	O	O	O
	Glass Antenna	O	O	O	O	O
	Body Colored ORVM	O	O	O	O	O
	Turn Indicators on ORVM	O	O	O	O	O
	Body Colored Door Handles	O	O	O	Chrome	Chrome
	Rear Under Spoiler	X	X	X	X	X
	Front Under Spoiler	X	X	X	X	X
	Side Under Spoiler	X	X	X	X	X
	Trunk Lid Spoiler with High Mount Stop Lamp	X	X	X	X	X
Interior	Leather Seat Upholstery**	X	X	X	Fabric + Leather	O
	Leather wrapped steering	X	X	X	X	O
	Steering wheel Chrome Garnish	O	O	O	O	O
	Illuminated console box	O	O	O	O	O
	Wooden finish on I/P Garnish	O	O	O	O	X
	Chrome Inside Door Handles	O	O	O	O	O
	Chrome finish on AC Louvers Knob	O	O	O	O	O
	Satin Finish on AC Louvers	Front.Center	Front.Center	Front	Front + Rear	Front + Rear
	Chrome Tipped Parking Brake Lever	O	O	O	O	O
	Chrome Finish on Floor Console	X	X	O	O	O
	Information Display w/ trip meter & fuel consumption	O	O	O	O	O
	Illumination Control	O	O	O	O	O
	Outside Temperature display	O	O	O	O	O
	Premium Black Interiors	X	X	X	X	X
	Gray Chrome Finish on I/P Garnish	X	X	X	X	X
Comfort & Convenience	Intelligent Key (Push Start / Stop)	X	X	X	O	O
	Keyless Entry	O	O	O	O	O
	Power Windows	O	O	O (Dr. side auto Up/Down with anti pinch)	O	O
	Auto AC	Manual	Manual	O	O	O
	Rear AC vents	O	O	O	O	O
	Pollen Filter	O	O	O	O	O
	Rear Centre Armrest	O	O	O (with utility box)	O	O
	Height Adj. Driver Seat	X	X	O (with cup holders)	O	O
	Shoulder Height Adj. Front Seat Belts	O	O	O	O	O
	Rear Sunshade	X	X	X	O	O
	Footwell Lamps (Driver + Passenger side)	X	X	X	O	O
	Rear Reading Lamps	X	X	X	O	O
	Sunglass Holder	X	X	X	O	O
	Electrically Adjustable ORVMs	O	O	O	O	O
	Electrically Foldable ORVMs	X	X	X	O	O
Electric Trunk Opening	O	O	O	O	O	
Front Accessory socket	O	O	O	O	O	
Rear Accessory Socket	O	O	O	O	O	
Tilt Steering	O	O	O	O	O	
Audio/Infotainment	Touchscreen SmartPlay System	X	X	X	O	O
	Bluetooth Connectivity	X	X	O	O	O
	Navigation System	X	X	X	X	O
	Voice Command	X	X	X	X	O
	Audio with CD Player	O	O	O	O	X
	Speakers + Tweeters (Nos)	O	O	4+2	O	O
	USB connectivity	O	O	O	O	O
	Steering Mounted Audio Controls	X	X	O	O	O
	Steering Mounted Calling Controls	X	X	O	O	O
	ABS	X	O	O	O	O
Safety	Driver Airbag	O	O	O	O	O
	Co-Driver Airbag	X	O	O	O	O
	Seat Belt Pre Tensioner & Force Limiters	X	O	O	O	O
	Seat Belt Reminder Buzzer (Driver Seat)	O	O	O	O	O
	Front Fog Lamp	X	X	O	O	O
	Rear Defogger	O	O	O	O	O
	Auto Day/Night IRVM	Manual	Manual	Manual	O (with camera display)	O
	Reverse Parking Sensor	X	X	O	O	O
	Reverse Parking Camera	X	X	X	O	O
	Security Alarm	O	O	O	O	O
Engine Immobilizer	O	O	O	O	O	

LEGEND : O - Available; X - Not Available

**Some Parts of The Leather Appointed Seat Upholstery will Contain Man-Made Material.

Vxi (O)/Vdi (O) and RS variants (available in both petrol and diesel) are newly added variants. Automatic Transmission is available in Vxi+ and Zxi variants.

*Spare wheel material is steel & spare tyre size is 185/65 R15.